



MASJED SOLEYMAN PETROCHEMICAL
INDUSTRIES COMPANY

MIS Project No.: 1100



WUHUAN ENGINEERING
CO., LTD.



DEPAMU (Hangzhou)
Pumps Technology Co.,
Ltd.

MIS FERTILIZER PROJECT (PHASE I)

WUHUAN Project No.: 10048 Rev.: 1

PID Drawing
(Item No.P-8604)

MIS Doc. No.: 1100-VD-P1301-PID-001

Vendor Doc. No.:

Sheet 1 of 2

Scale/Size: A4

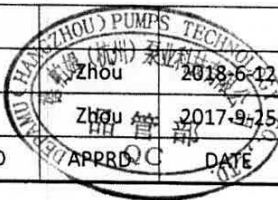
PID Drawing

PO No.:10048-P13-01-PO

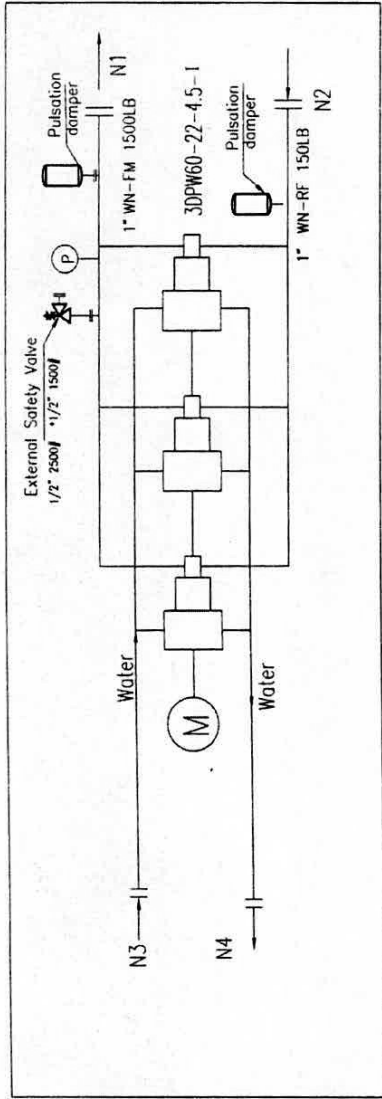
Item Name:High Pressure Flooding Pump

Item No.: P-8604

REV	DESCRIPTION	ORIGI	DEGND	CHEKD	APPRD	DATE
1	ISSUED FOR FINAL	Wang	Wan	Gen	Zhou	2018-6-12
0	ISSUED FOR APPROVAL	Wang	Wan	Gen	Zhou	2017-9-25



P-8604



NOTE: motor Power: 22kW.

"A" is the cooler on the pump base plate

No.	Discharge	Dimension	Pressure level	Qty	Remark
N4	Cooling water discharge	1/2"	Class 150#	1	RF, ASME B16.5
N3	Cooling water suction	1/2"	Class 150#	1	RF, ASME B16.5
N2	Suction	1"	Class 150#	1	RF, ASME B16.5
N1	Discharge	3/4"	Class 1500#	1	TEC 350K LAP-DF
No.	Name	Dimension	Pressure level	Qty	Remark

WATKINS PUMPS & TECHNOLOGIES
 1000 WATKINS DRIVE
 WATKINSVILLE, GA 30686
 TEL: 770-529-1234 FAX: 770-529-1235
 WWW.WATKINSPUMPS.COM

WATKINS PUMPS & TECHNOLOGIES
 1000 WATKINS DRIVE
 WATKINSVILLE, GA 30686
 TEL: 770-529-1234 FAX: 770-529-1235
 WWW.WATKINSPUMPS.COM



MASJED SOLEYMAN PETROCHEMICAL
INDUSTRIES COMPANY

MIS Project No.: 1100



WUHUAN ENGINEERING
CO., LTD.

DEPAMU® DEPAMU (Hangzhou) Pumps
Technology Co., Ltd.

MIS FERTILIZER PROJECT (PHASE I)

WUHUAN Project No.: 10048

Rev.: 2

General Arrangement Drawing

MIS Doc. No.: 1100-VD-P1301-DWG-001

(Item No.P-8604)

Vendor Doc. No.:

Sheet 1 of 2

Scale/Size: A4

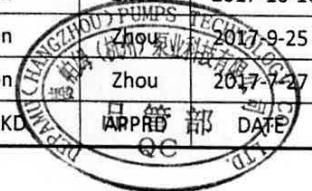
General Arrangement Drawing

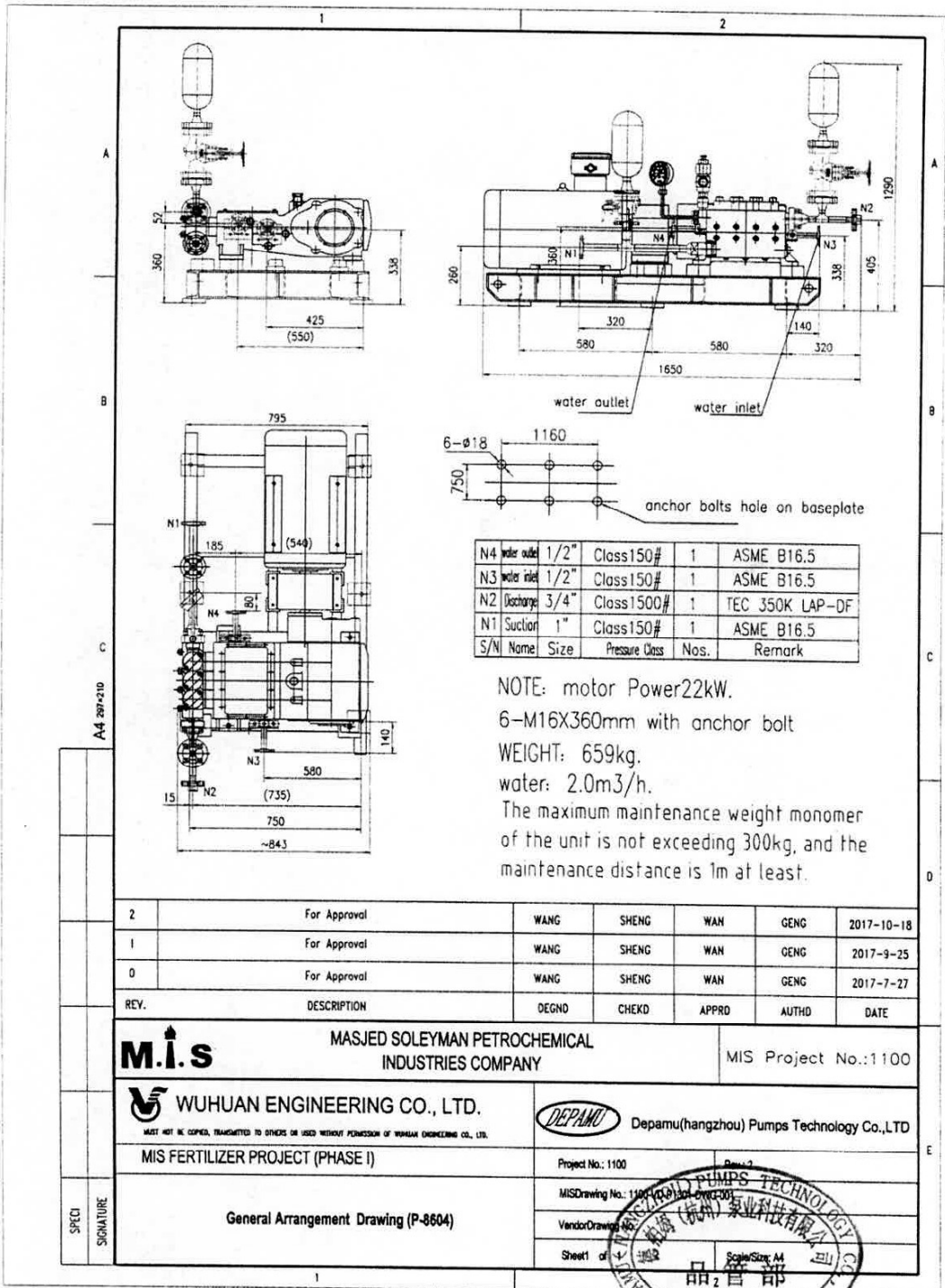
PO No.:10048-P13-01-PO

Item Name:High Pressure Flooding Pump

Item No.: P-8604

2	ISSUED FOR FINAL	Wang	Wan	Gen	Zhou	2017-10-16
1	ISSUED FOR APPROVAL	Wang	Wan	Gen	Zhou	2017-9-25
0	ISSUED FOR APPROVAL	Wang	Wan	Gen	Zhou	2017-7-27
REV	DESCRIPTION	ORIGI	DEGND	CHEKD	APPRED	DATE





S/N	Name	Size	Pressure Class	Nos.	Remark
N4	water outlet	1/2"	Class150#	1	ASME B16.5
N3	water inlet	1/2"	Class150#	1	ASME B16.5
N2	Discharge	3/4"	Class1500#	1	TEC 350K LAP-DF
N1	Suction	1"	Class150#	1	ASME B16.5

NOTE: motor Power 22kW.
 6-M16X360mm with anchor bolt
 WEIGHT: 659kg.
 water: 2.0m³/h.
 The maximum maintenance weight monomer of the unit is not exceeding 300kg, and the maintenance distance is 1m at least.

REV.	DESCRIPTION	DEGNO	CHEKD	APPRD	AUTHD	DATE
2	For Approval	WANG	SHENG	WAN	GENG	2017-10-18
1	For Approval	WANG	SHENG	WAN	GENG	2017-9-25
0	For Approval	WANG	SHENG	WAN	GENG	2017-7-27

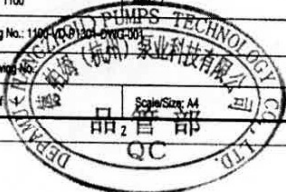
M.I.S MASJED SOLEYMAN PETROCHEMICAL INDUSTRIES COMPANY MIS Project No.:1100

WUHUAN ENGINEERING CO., LTD. **DEPAMU** Depamu(hangzhou) Pumps Technology Co.,LTD

MIS FERTILIZER PROJECT (PHASE I) Project No.: 1100

General Arrangement Drawing (P-8604) MISDrawing No.: 1100-01-01-001-001

Vendor Drawing No. Sheet 1 of 1 Scale: 1:1





MASJED SOLEYMAN PETROCHEMICAL
INDUSTRIES COMPANY

MIS Project No.: 1100



WUHUAN ENGINEERING
CO., LTD.

DEPAMU DEPAMU (Hangzhou)
Pumps Technology Co.,
Ltd.

MIS FERTILIZER PROJECT (PHASE I)

WUHUAN Project No.: 10048 Rev.: 1

Cross Sectional Drawing for Pump
(Item No.P-8604)

MIS Doc. No.: 1100-VD-P1301-DWG-002

Vendor Doc. No.:

Sheet 1 of 2

Scale/Size: A4

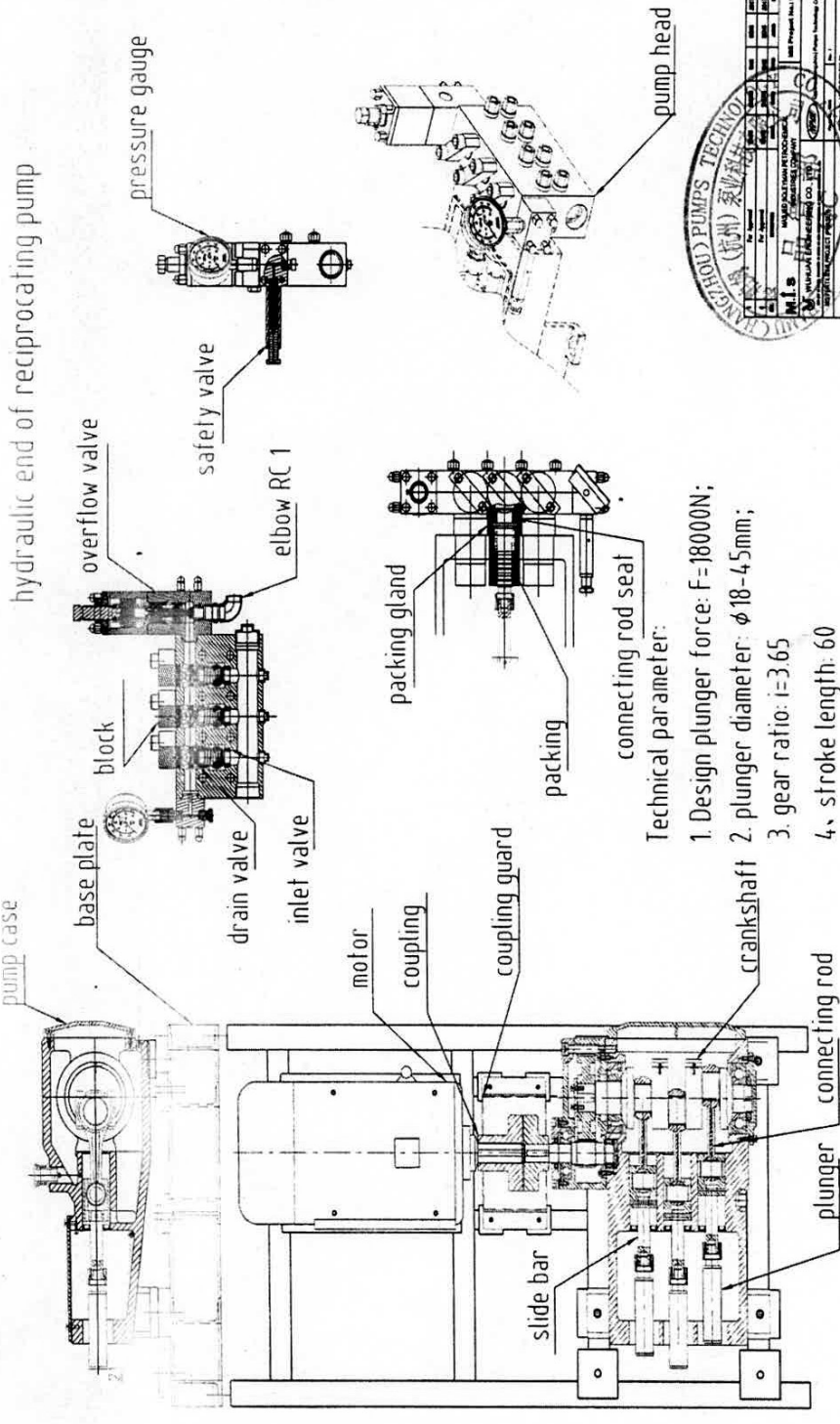
Cross Sectional Drawing for Pump

PO No.:10048-P13-01-PO

Item Name:High Pressure Flooding Pump

Item No.: P-8604

1	ISSUED FOR FINAL	Wang	Wan	Gen	
0	ISSUED FOR APPROVAL	Wang	Wan	Gen	
REV	DESCRIPTION	ORIGI	DEGND	CHEKD	



Technical parameter:
 1. Design plunger force: $F = 18000N$;
 2. plunger diameter: $\phi 18 - 4.5mm$;
 3. gear ratio: $i = 3.65$
 4. stroke length: 60

NINGBO TECH PUMPS TECHNOLOGY CO., LTD.
 (宁波泰希泵业有限公司)
 No. 188, Jiefang Road, Ningbo, Zhejiang, P.R. China
 Tel: +86 574 8699 1111
 Fax: +86 574 8699 1112
 E-mail: sales@techpumps.com
 Website: www.techpumps.com